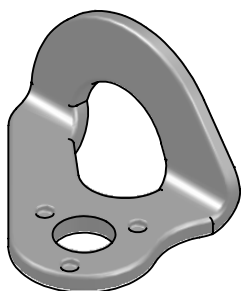
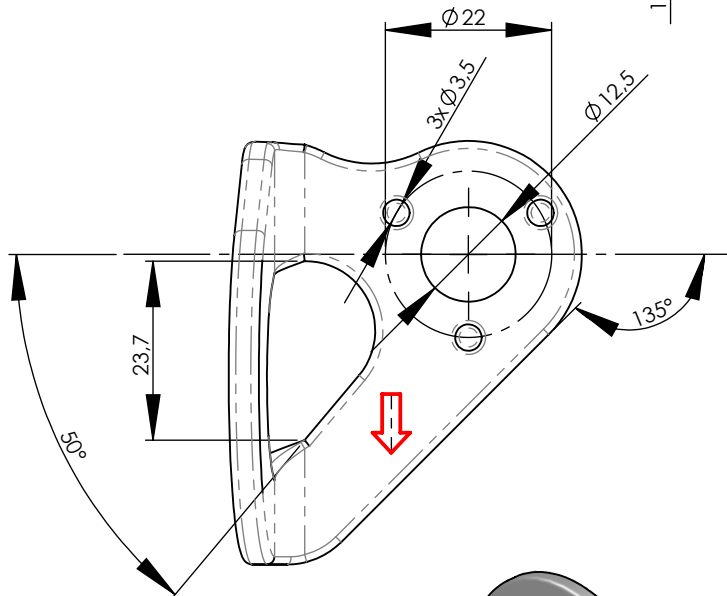
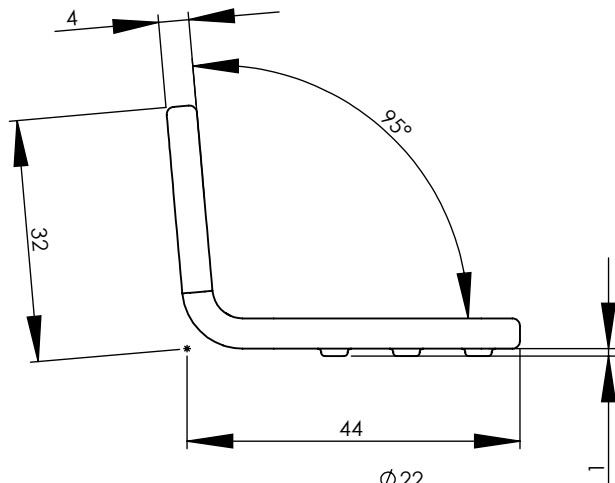


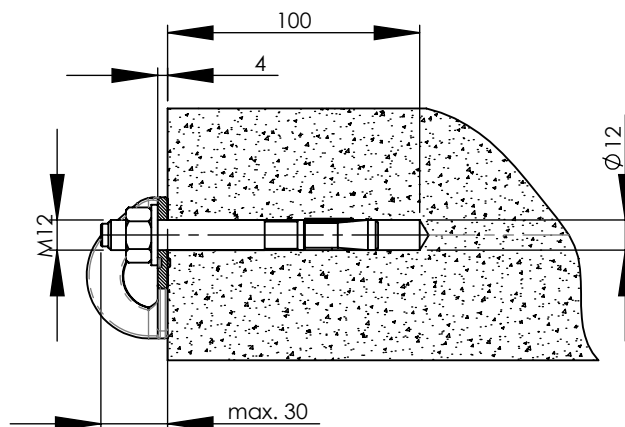


Product Technical File

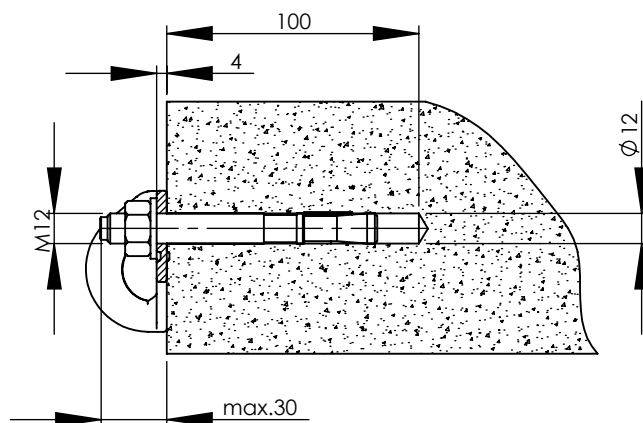
Anchor point AT 180



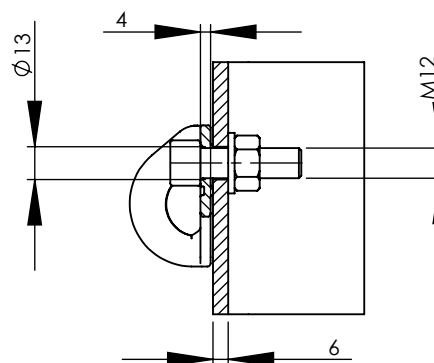
Set AT 180-01 AT 180 + Stud anchor stainless steel



Set AT180-02 AT 180 + Stud anchor galvanized steel



AT180 Moutage to steel profile



PARAMETERS

Static strength: min. 10 kN
Material: Stainless steel
Number of person: 1
Holding down bolt: M12
Standard: EN 795:1996 class A

